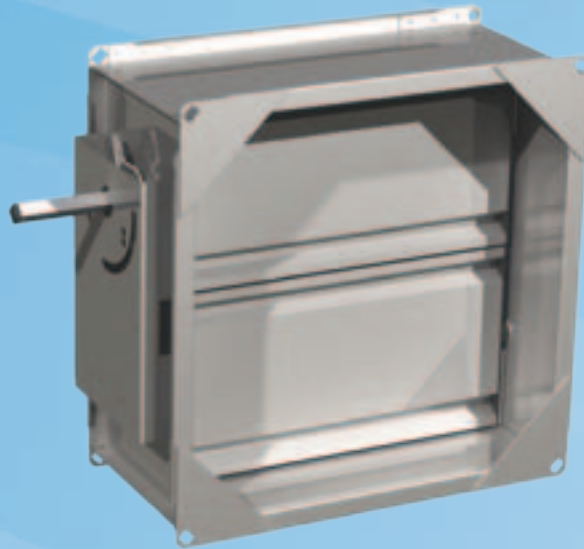


UTK, UTT

Airflow Dampers



V4M05Y2010/Halton Marine reserves the right to alter products without notice.

UTK, UTT

- Temperature operation range up to +100°C, optionally up to +200°C.
- Classification of casing leakage EN 1751 class B

UTK

- Shut-off, adjustment, balancing, adjustment or control damper with opposed blade construction
- Tightness in closed position fulfills EN 1751 class 1 requirements

UTT

- Shut-off and balancing damper for outdoor air intake and exhaust air with opposed blade design
- Damper blades comprise thermal insulation
- Tightness in closed position fulfills EN 1751 class 4 requirements (tested size 600x600 mm)

Product models and Accessories

- Model with stainless steel (AISI 316) design
- Model with mineral wool (20 mm) insulated casing
- Model with heat-proof design
- Circular duct connections
- Several actuator options

PART	MATERIAL	NOTE
Casing	Galvanised steel	Stainless steel AISI 316 also available
Blades (sandwich design)	Galvanised steel	Stainless steel AISI 316 also available
Blade insulation (only UTT)	Polyurethane	CFC free
Blade gaskets	Silicon	Heat-proof model: LTE rubber
Gasket inside the casing (only UTT)	Silicon	Fixed in an aluminium profile, Heat-proof model: LTE rubber
Duct gasket	Rubber compound	Circular connections
Slide bearings	Alloy of polyamide and molybdenum sulphide	Self-lubricated Heat-proof model stainless steel AISI 316 also available
Drive shaft	Galvanised steel	Rectangular (15x15 mm) bar

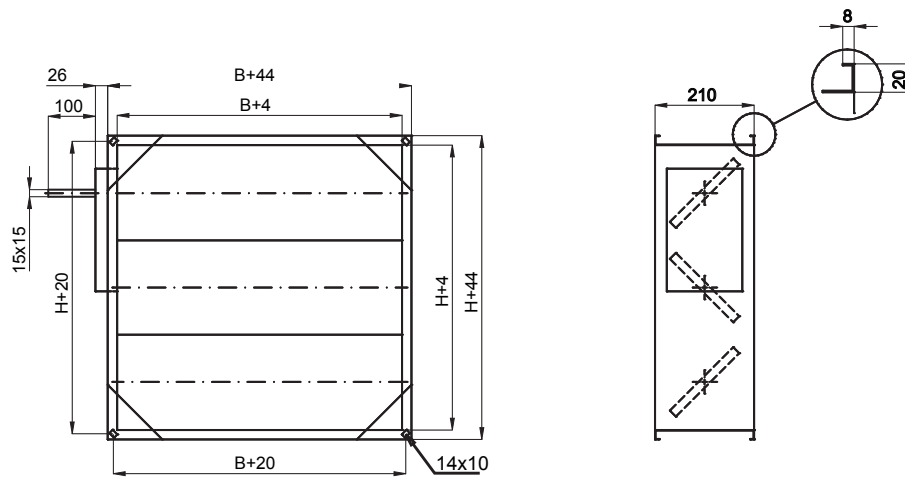
DIMENSIONS

UTK and UTT dampers are manufactured for both rectangular (width B 100-2400 mm and height H 100-2400 mm, 1 mm division) and circular ducts (Ø100-1250 mm). Special non-standard dimensions and flange drilling available on request. Modular construction sizes up to 4900x4900 mm are available. Standard frame material thickness 1 mm.

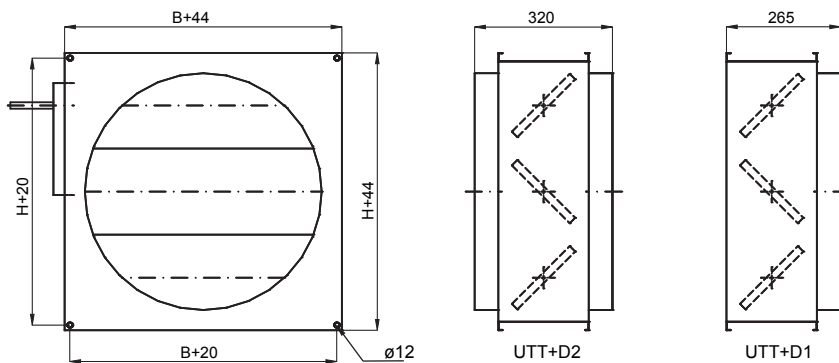
Circular connections

ØD	WxH
100	150x150
125	150x150
160	200x200
200	200x200
250	250x250
315	300x300
400	400x400
500	500x500
630	600x600
800	800x800
1000	1000x1000
1250	1250X1250

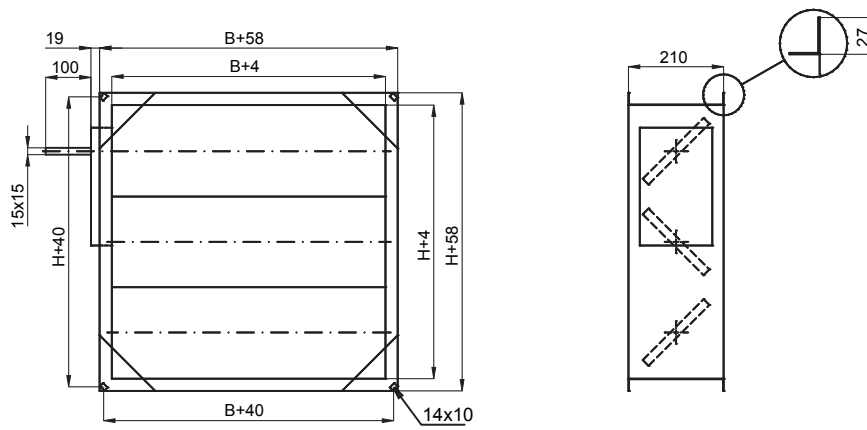
GENERAL UTK, UTT DRAWING



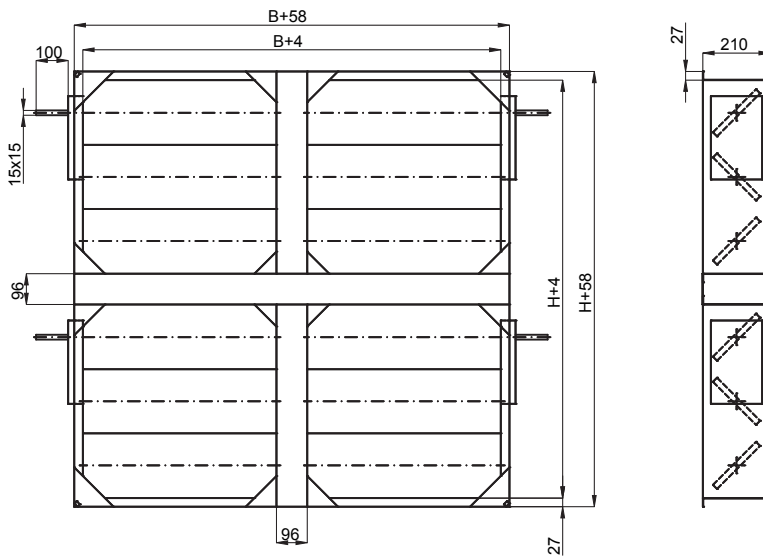
GENERAL UTK, UTT DRAWING, CIRCULAR CONNECTIONS



UTK, UTT DRAWING, FLANGE CONNECTION



GENERAL UTK, UTT MODULE ASSEMBLY



THE ADJUSTMENT AND CONTROL OPTIONS

ADJUSTMENT & CONTROL OPTIONS	CODE	NOTE
Manual handle adjustment	MO = MA	
Manual extension bar adjustment	AC = BA	Handle extension arrangement
Flexible coupling bar	AC = FS	For remote actuator coupling
Actuator operation	MO =	A wide range of actuators available

Function, UTK and UTT

The UTK dampers are used to shut off, adjust or control airflow in ductwork in applications where damper leakage does not have significant importance. In the closed position the UTK damper leakage class is 1 in accordance with the EN1751 standard.

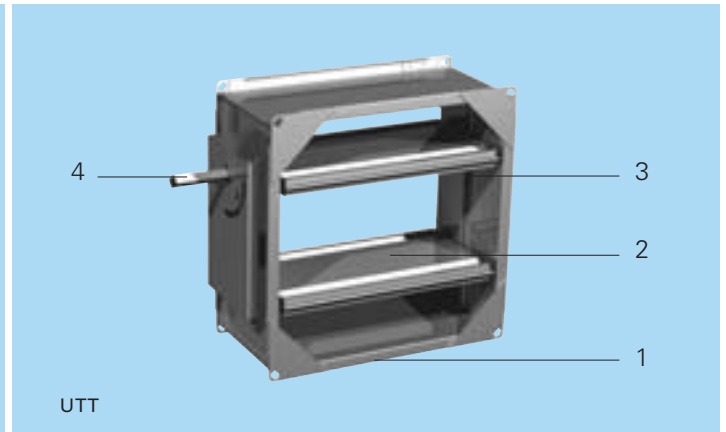
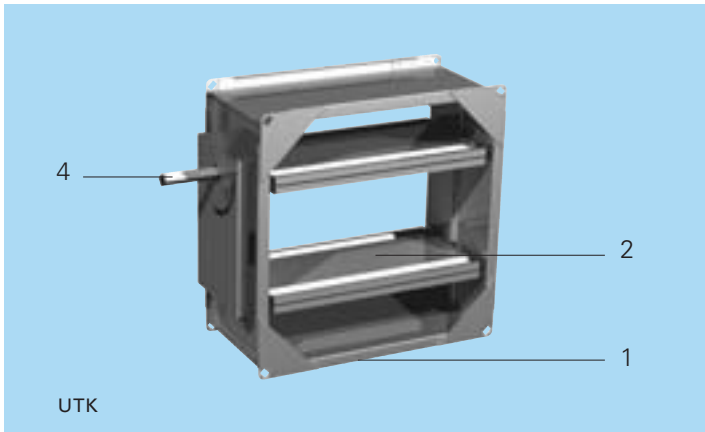
The UTT dampers are used to shut off or control airflow in ductwork where tightness, thermal insulation and reliability are important. In the closed position the UTT damper leakage class is 4 in

accordance with the EN1751 standard (tested size 600x600 mm).

In the open position the blades are turned in the direction of flow and do not cause significant pressure losses.

Damper sizes conform with the international standards EN 1505, EN1506 and ISO 1707 for rectangular and circular ducts.

Heat transmission of the damper is 6 W/(m²K).



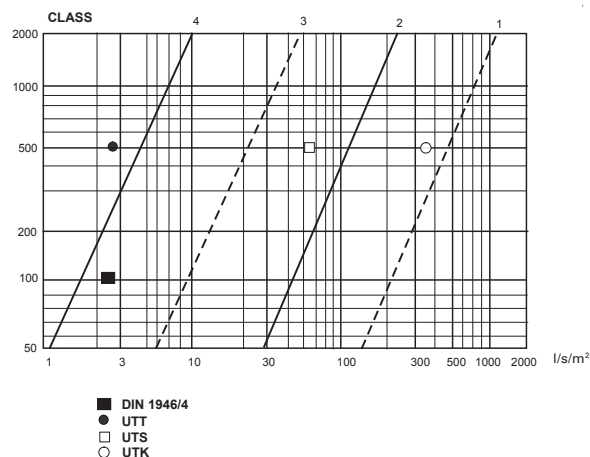
Main parts

CODE	DESCRIPTION
1	Casing
2	Blade
3	Gasket
4	manual adjustment handle / actuator platform

Installation

Install the damper in the ductwork with the blades in horizontal or vertical position. Fasten the damper in the ductwork using slip joints. Optional models enable fastening the damper to duct flange by using bolts. Drill holes in the damper flange if necessary. Use a seal between the flanges in order to tighten the seam. Fasten the circular connections by riveting or screwing.

Damper tightness



WEIGHTS OF STANDARD HALTON MARINE UTK DAMPERS (KG) without an actuator

H/Height mm	B / Width (mm)											
	100	200	300	400	500	600	700	800	900	1000	1100	1200
200	3	3	4	5	6	6	7	8	8	9	10	16
300	4	5	6	6	7	8	9	9	10	11	12	18
400	5	5	6	7	8	9	10	10	11	12	13	20
500	5	6	7	8	9	10	11	12	13	14	15	21
600	6	7	8	9	10	11	12	13	14	15	17	23
700	7	8	9	9	11	12	13	15	16	17	18	25
800	7	9	10	11	12	14	15	16	18	19	20	27
900	8	9	11	12	13	15	16	18	19	20	22	29
1000	9	10	12	13	15	16	18	19	21	22	24	31
1100	9	11	13	14	16	17	19	20	22	24	25	32
1200	10	12	14	15	17	19	20	22	24	25	27	35
1300	11	13	14	16	18	20	22	23	25	27	29	36
1400	12	14	16	17	19	21	23	25	27	29	31	38
1500	12	14	16	18	20	22	24	26	28	30	32	40
1600	13	15	17	20	22	24	26	28	30	32	34	42
1700	14	16	18	20	23	25	27	29	31	34	36	44
1800	15	17	19	22	24	26	29	31	33	35	38	46
1900	15	18	20	22	25	27	30	32	34	37	39	47
2000	16	19	21	24	26	29	30	34	36	39	41	49
2100	17	19	22	25	27	30	32	35	38	40	43	51
2200	18	20	23	26	28	31	34	37	39	42	45	53
2300	18	21	24	27	29	32	35	38	41	44	46	55
2400	19	22	25	28	31	34	37	40	42	45	48	57

H/Height mm	B / Width (mm)											
	1300	1400	1500	1600	1700	1800	1900	2000	2100	2200	2300	2400
200	17	17	18	21	21	22	23	25	26	27	27	28
300	20	20	21	24	25	26	26	29	30	31	32	32
400	21	22	23	26	27	27	28	31	32	33	34	35
500	23	24	25	28	29	30	31	34	35	36	37	38
600	25	26	27	31	32	33	34	37	38	39	40	41
700	27	28	29	33	34	35	36	40	41	42	43	44
800	29	31	32	35	37	38	39	43	44	45	47	48
900	31	33	34	38	39	40	42	45	47	48	50	51
1000	34	35	37	40	42	43	45	49	50	52	53	55
1100	35	37	39	42	44	46	47	51	53	54	56	58
1200	38	40	41	45	47	49	51	54	56	58	60	62
1300	40	41	43	47	49	51	53	57	59	61	63	65
1400	42	44	46	50	52	54	56	60	62	64	66	68
1500	44	46	48	52	54	56	59	63	65	67	69	71
1600	46	48	51	55	57	59	62	66	68	70	73	75
1700	48	50	53	57	59	62	64	69	71	73	76	78
1800	50	53	55	60	62	65	67	72	74	77	79	82
1900	52	55	57	62	65	67	70	74	77	79	82	85
2000	55	57	60	65	67	70	73	78	80	83	86	88
2100	56	59	62	67	70	72	75	80	83	86	89	91
2200	59	62	65	70	73	76	78	83	86	89	92	95
2300	61	64	67	72	75	78	81	86	89	92	95	98
2400	63	66	69	75	78	81	84	89	92	95	99	102

UTK D1	
D1 ØD mm	Weight kg
160	4
200	4
250	5
315	7
400	9
500	12
630	16
800	23
1000	32
1250	51

UTK D2	
D2 ØD mm	Weight kg
160	4
200	5
250	6
315	9
400	11
500	15
630	21
800	30
1000	42
1250	66

V4M05Y2010/Halton Marine reserves the right to alter products without notice.

WEIGHTS OF STANDARD HALTON MARINE UTT DAMPERS (KG) without an actuator

H/Height mm	B /Width (mm)											
	100	200	300	400	500	600	700	800	900	1000	1100	1200
200	3	3	4	5	6	7	7	8	9	9	10	16
300	4	5	6	7	7	8	9	10	11	11	12	19
400	5	6	6	7	8	9	10	11	12	13	13	20
500	5	6	7	8	9	10	11	12	13	14	15	22
600	6	7	8	9	11	12	13	14	15	16	17	24
700	7	8	9	10	11	13	14	15	16	18	19	26
800	8	9	10	12	13	14	16	17	18	20	21	28
900	8	10	11	12	14	15	17	18	20	21	23	30
1000	9	11	12	14	15	17	18	20	22	23	25	32
1100	10	11	13	15	16	18	20	21	23	25	26	34
1200	11	12	14	16	18	19	21	23	25	27	28	36
1300	11	13	15	17	19	21	22	24	26	28	30	38
1400	12	14	16	18	20	22	24	26	28	30	32	40
1500	13	15	17	19	21	23	25	27	30	32	34	42
1600	14	16	18	20	22	25	27	29	31	34	36	44
1700	14	16	19	21	23	26	28	30	33	35	38	46
1800	15	17	20	22	25	27	30	32	35	37	40	48
1900	16	18	21	23	26	28	31	34	36	39	41	50
2000	16	19	22	25	27	30	33	35	38	41	43	52
2100	17	20	23	25	28	31	34	37	39	42	45	54
2200	18	21	24	27	30	33	36	38	41	44	47	56
2300	19	22	25	28	31	34	37	40	43	46	49	58
2400	20	23	26	29	32	35	38	42	45	49	51	60

H/Height mm	B /Width (mm)											
	1300	1400	1500	1600	1700	1800	1900	2000	2100	2200	2300	2400
200	17	17	18	21	21	22	23	25	26	27	27	28
300	20	20	21	24	25	26	26	29	30	31	32	32
400	21	22	23	26	27	27	28	31	32	33	34	35
500	23	24	25	28	29	30	31	34	35	36	37	38
600	25	26	27	31	32	33	34	37	38	39	40	41
700	27	28	29	33	34	35	36	40	41	42	43	44
800	29	31	32	35	37	38	39	43	44	45	47	48
900	31	33	34	38	39	40	42	45	47	48	50	51
1000	34	35	37	40	42	43	45	49	50	52	53	55
1100	35	37	39	42	44	46	47	51	53	54	56	58
1200	38	40	41	45	47	49	51	54	56	58	60	62
1300	40	41	43	47	49	51	53	57	59	61	63	65
1400	42	44	46	50	52	54	56	60	62	64	66	68
1500	44	46	48	52	54	56	59	63	65	67	69	71
1600	46	48	51	55	57	59	62	66	68	70	73	75
1700	48	50	53	57	59	62	64	69	71	73	76	78
1800	50	53	55	60	62	65	67	72	74	77	79	82
1900	52	55	57	62	65	67	70	74	77	79	82	85
2000	55	57	60	65	67	70	73	78	80	83	86	88
2100	56	59	62	67	70	72	75	80	83	86	89	91
2200	59	62	65	70	73	76	78	83	86	89	92	95
2300	61	64	67	72	75	78	81	86	89	92	95	98
2400	63	66	69	75	78	81	84	89	92	95	99	102

UTT D1	
D1 ØD mm	Weight kg
160	4
200	4
250	5
315	7
400	9
500	12
630	17
800	24
1000	33
1250	52

UTT D2	
D2 ØD mm	Weight kg
160	4
200	5
250	6
315	9
400	11
500	15
630	21
800	30
1000	43
1250	67