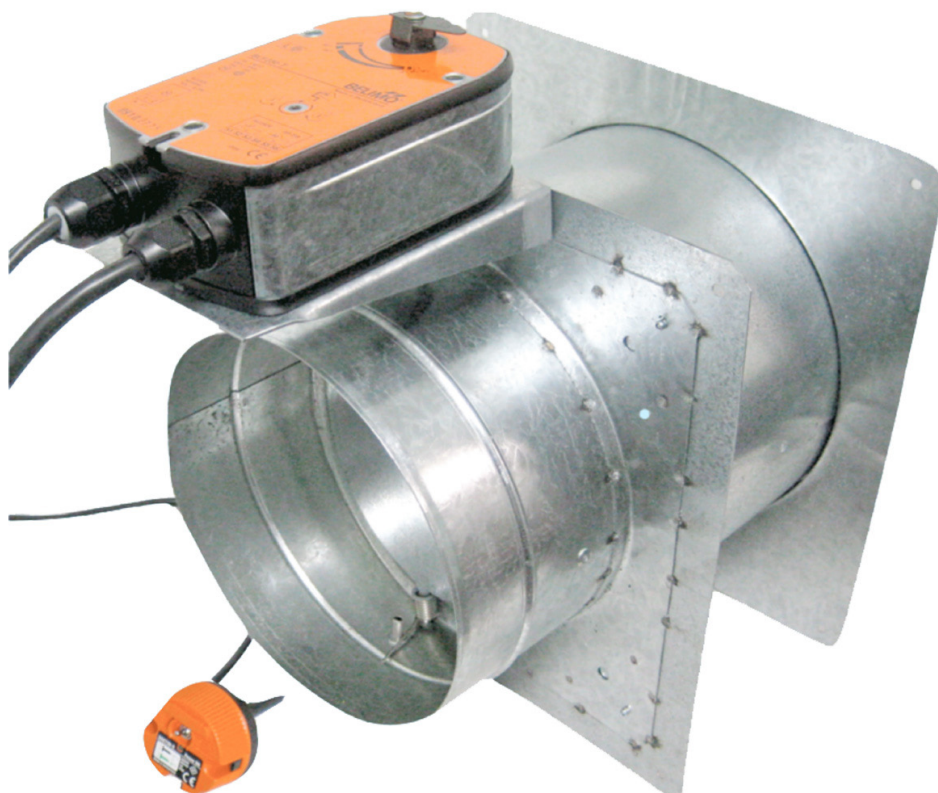


RAVENSCROFT SMOKE DAMPER



The Ravenscroft smoke damper has many advantages to the traditional dampers:

- Fast installation
- Fire rated up to 2 hours
- No access hatch required
- Fitted with Belimo BLF-T spring-return motor
- Supplied as a kitset
- Also available as plasterboard wall or concrete/masonry only version
- Stainless steel version also available



Ravenscroft fire dampers function as an electrical reset smoke damper when fitted with Belimo BLF-T motor.

The motorised fire dampers have the same benefits as the regular Ravenscroft BSD-C and BSD-PW fire dampers. They are fire rated up to two hours. The installation is quick and no special framing is required, nor is an inspection hatch needed to check damper operation.

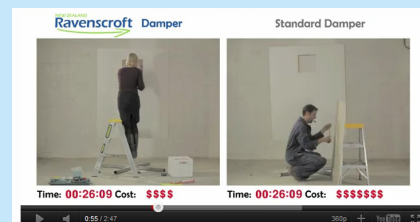
The Ravenscroft smoke dampers come fitted with Belimo BLF-T Spring-return motor, combined with thermo-electric tripping device (cannot be fitted on site).

- Motor torque: 6/4 Nm
- Motor control: open/close
- Available motor voltage options: AC/DC 24V, AC 230V
- Running time: Motor 40 ... 75 s (0 ... 6 Nm) / Spring return open or close 20 s

INSTALLATION

Co-ordination between trades on site and at time of tender is greatly reduced as the damper does not require additional hole reinforcement or framing. Actual installation time is minimised.

Flexible ductwork connectors must be used to separate rigid ducting from the damper. These prevent excess force being transferred to the plasterboard in the advent of ductwork deformation or collapse during a fire or earthquake.



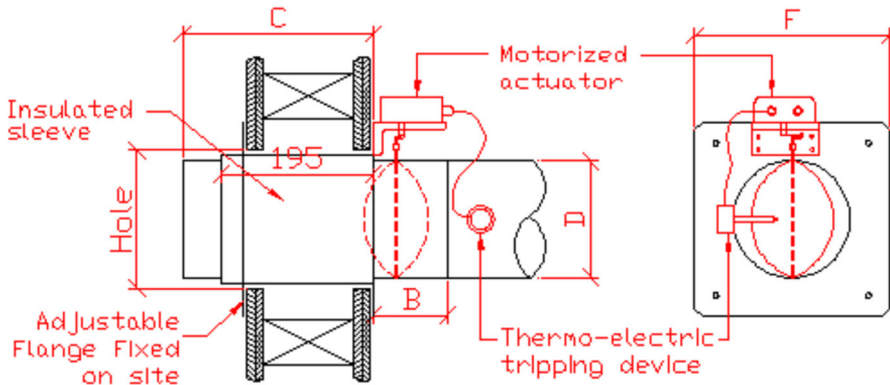
To see the quick and easy damper installation yourself, visit www.ravenscroft.co.nz/products/fire-dampers to view the damper installation comparison video!

RAVENSCROFT SMOKE DAMPER



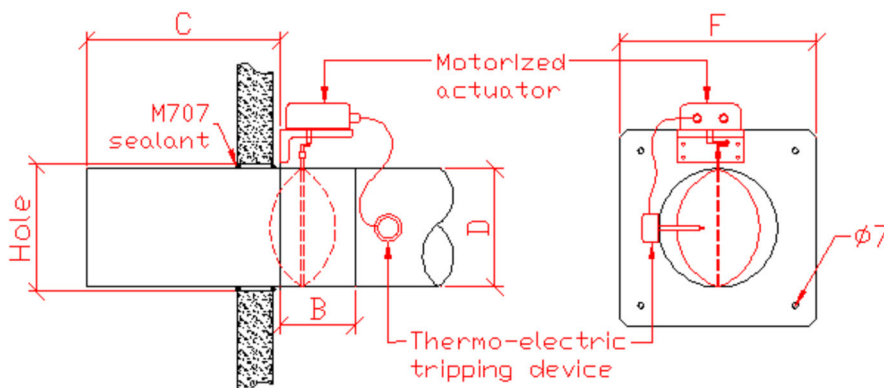
DIMENSIONS

Smoke damper for plasterboard walls



BSD-PW/M	D	Hole	B	C	F
125	124	165	95	245	225
150	149	190	95	245	250
175*)	174	215	95	245	275
200	199	240	95	245	300
250	249	290	95	245	350
300	299	340	155	245	410
400	399	440	155	245	650

Smoke damper for concrete/masonry installation



BSD-C/M	D	Hole	B	C	F
125	124	135	95	245	180
150	149	160	95	245	210
175*)	174	185	95	245	
200	199	210	95	245	255
250	249	260	95	245	300
300	299	310	155	245	370
400	399	410	155	245	480

*) Special order only (extended lead time)

APPROVAL

Tested to AS1530.4-1990. FRR 120 minutes in plasterboard walls. BRANZ Test Report FP 2376.

For masonry walls the standard Ravenscroft fire damper, BSD-C, without the insulated sleeve is available satisfying AS1530.4-1990 for at least 120 minutes under BRANZ Opinion 97/1026.

The Ravenscroft fire damper for plasterboard walls, BSD-PW, meets the requirements of AS1682-1991 Parts 1 & 2. (Means of Code Compliance: Verification by Laboratory Test)