

# RAVENSCROFT FIRE DAMPER FOR CONCRETE/MASONRY

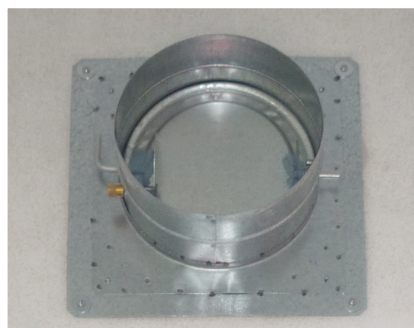


The Ravenscroft Fire Damper for concrete/masonry (also known as BSD-C) is similar to the Ravenscroft plasterboard wall fire damper, but without the insulated sleeve.

The concrete/masonry version is available for installation in Concrete, Concrete Block, 'Hebel Powerpanel System' or other solid wall or floor fire separations. It is supplied with one fixed flange only that allows it to be centred and fixed to one side of the wall or ceiling prior to final grouting.

Fire dampers are rated up to 2 hours. Fuse release is external therefore damper is easily activated and reset during building maintenance checks.

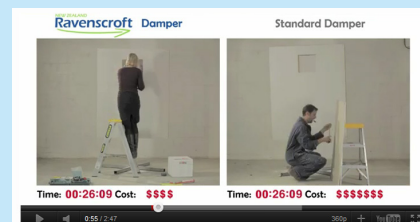
An inspection hatch is not required to either check damper operation or check the fuse. If the fuse is activated by heat then it can be reset up to 4 times without replacement.



These fire dampers can also be fitted with a Belimo BLF-T Spring-return actuator, combined with thermo-electric tripping device. This will turn the damper into a Smoke Damper.

The Ravenscroft fire damper has many advantages to the traditional fire dampers:

- Fast installation
- Fire rated up to 2 hours
- No balancing damper or access hatch required
- Supplied as a kitset
- Fuse easily reset
- Also available as plasterboard wall version
- Can be fitted as a Smoke Damper
- Stainless steel version also available



To see the quick and easy damper installation yourself, visit [www.ravenscroft.co.nz/products/fire-dampers](http://www.ravenscroft.co.nz/products/fire-dampers) to view the damper installation comparison video!

# RAVENSCROFT FIRE DAMPER FOR CONCRETE/MASONRY



## INSTALLATION

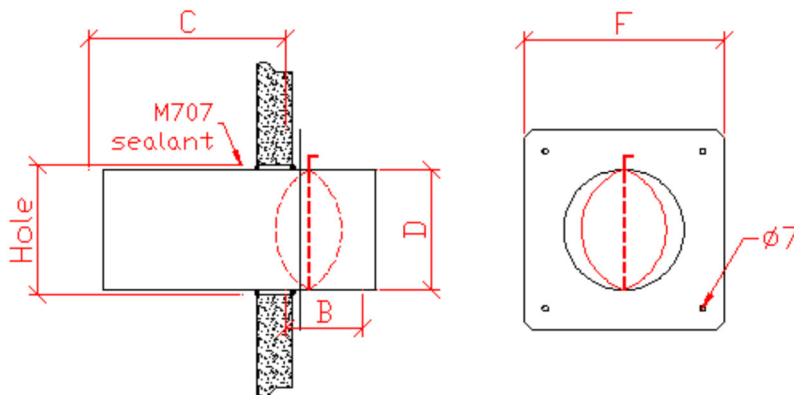
The Ravenscroft fire damper for concrete/masonry is a fire rated damper that, when installed as per the manufacturers instructions, will maintain the integrity of concrete firewalls or floors for up to 2 hours.

The Ravenscroft fire damper for concrete/masonry is a combined balancing and fire damper. It can function as a manual reset smoke damper if one of the release alternatives are selected.

Flexible ductwork connectors must be used to separate rigid ducting from the damper. These prevent excess force being transferred to the wall or ceiling mounting in the advent of ductwork deformation or collapse during a fire or earthquake.

Because the thermal fuse is reusable, the damper can easily be tested and preset with the indicator handle from outside the duct. Duct access panels are not required.

The fire dampers are delivered with full installation instructions.



BSD-C	D	Hole	B	C	F
125	124	135	95	245	180
150	149	160	95	245	210
175 <sup>*)</sup>	174	185	95	245	
200	199	210	95	245	255
250	249	260	95	245	300
300	299	310	155	245	370
400	399	410	155	245	480

<sup>\*)</sup> Special order only (extended lead time)

## APPROVAL

Tested to AS1530.4-1990. FRR 120 minutes in plasterboard walls. BRANZ Test Report FP 2376.

For masonry walls the standard Ravenscroft fire damper, BSD-C, without the insulated sleeve is available satisfying AS1530.4-1990 for at least 120 minutes under BRANZ Opinion 97/1026.

The Ravenscroft fire damper for plasterboard walls, BSD-PW, meets the requirements of AS1682-1991 Parts 1 & 2. (Means of Code Compliance: Verification by Laboratory Test)

## RELEASE ALTERNATIVES

Alternative means of release are available on application. All release alternatives also include a heat release function.

Belimo spring return motors and heat release sensors also available.